

REMOVE 3 (E) WHEEL STOPS

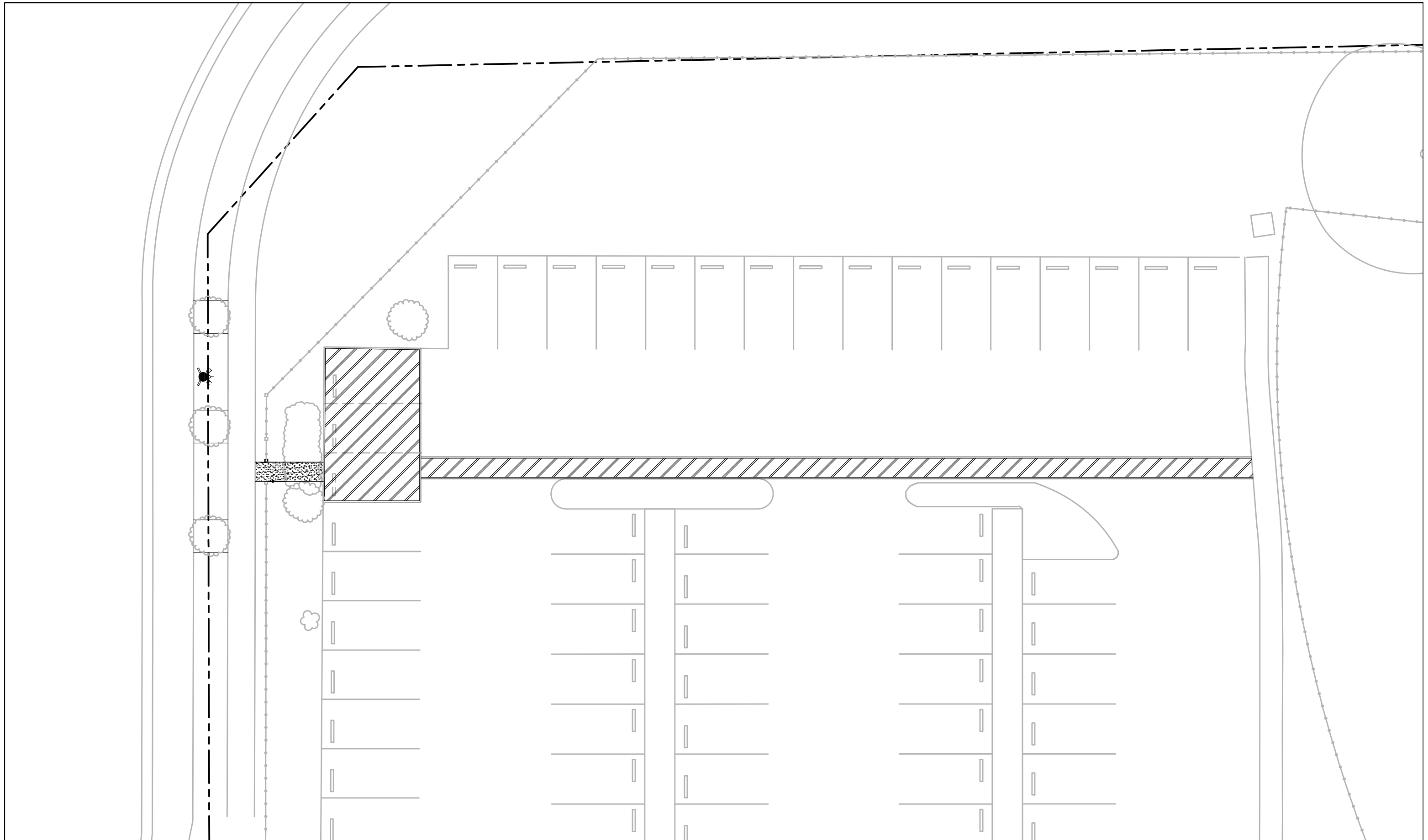
REMOVE (E) SHRUB

(N) 4'-0" GATE AND POST - MATCH (E) COLOR, POSTS AND STILE SPACING, HINGES, AND LATCHES PER CAMPUS STANDARD (SEE BUILDING 'C') - GATE TO BE LOCKABLE IN THE OPEN POSITION (180°)

CLEAN, GRUB, RAKE, AND CONFORM (E) SOIL AT GRADE TO (E) ADJACENT HARD SURFACES (BACK OF SIDEWALK/TOP OF CURB)

STRIPE 3 PARKING SPACES @ 36" O.C. - MATCH (E) STRIPES FOR COLOR AND WIDTH

AVOID (E) IRRIGATION LINES WHERE POSSIBLE. REPAIR AND REPLACE (E) IRRIGATION AS REQUIRED TO INSTALL (N) POST AND GATE



Andrew Hill High School - New Gate at NW Parking Lot

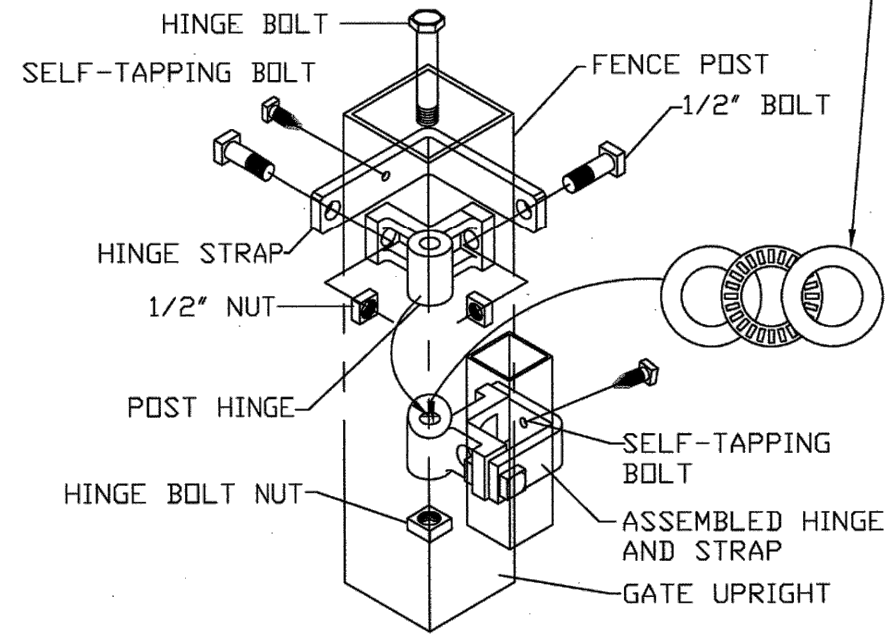
3200 Senter Road, San Jose, CA 95111

ENLARGED SITE PLAN

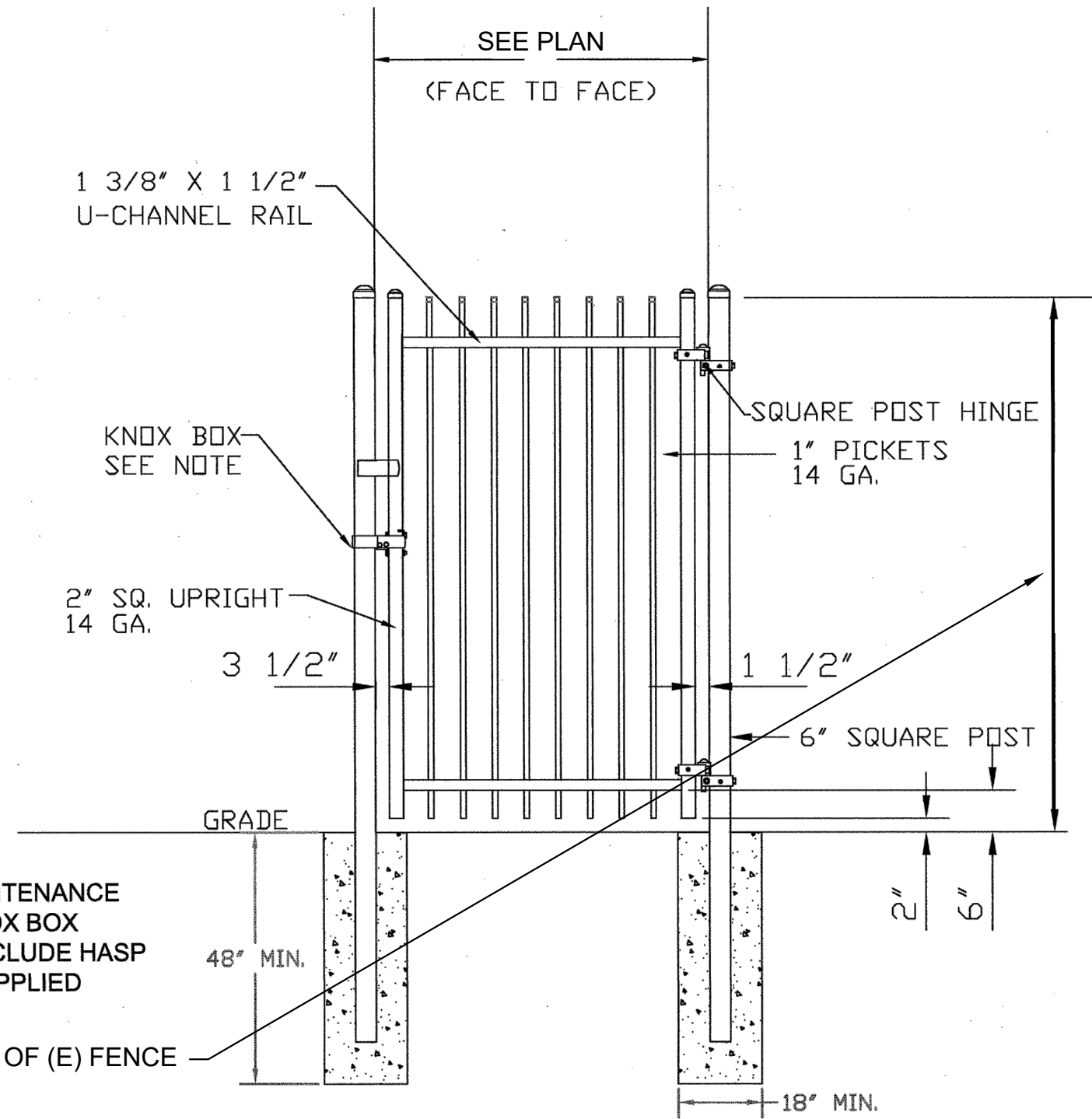
DATE: 06.07.16

SCALE: 1/8" = 1'-0"

(1) NEEDLE-ROLLER BEARING BETWEEN (2) WASHERS, BETWEEN EACH GATE HINGE, (2) SETS PER GATE LEAF.



DETAIL



NOTE: FOR MAINTENANCE GATE, OMIT KNOX BOX HARDWARE. INCLUDE HASP FOR OWNER SUPPLIED PADLOCK  
MATCH HEIGHT OF (E) FENCE